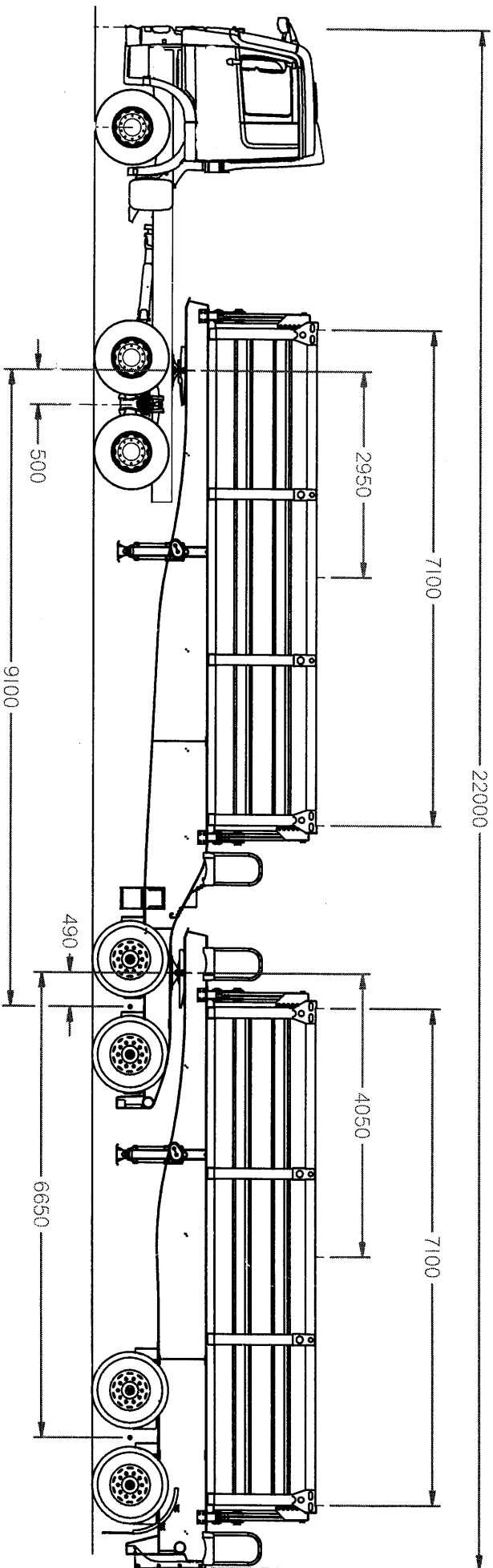


Side Tipper Interlink



5141	4135	TARE TRUCK	9276	--	--
257	1783	TARE TRAILER 1	6280	4240	--
12	83	TARE TRAILER 2	5720	1665	3960
1476	10258	PAYLOAD Tr.1	17362	5628	--
46	320	PAYLOAD Tr.2	17362	6422	10574
1522	10578	PAYLOAD TOTAL	34724	12050	10574
6932	16579	GROSS	56000	17955	14534
7500	18000	PERMISSIBLE	56000	18000	18000

Bin Volume: 20m³ each

NOTE: ALL TARES ARE ESTIMATED.
PAYLOAD IS NOT GUARANTEED

Copyright
This drawing is the property of Hoising Trainers and may not be copied, reproduced or disseminated without written permission.

DRAWN	NAME	DATE
CHECKED	Sievg	12/17/13
ENG APPR		

UNLESS OTHERWISE SPECIFIED DIMENSIONS ARE IN MILLIMETERS

SCALE: DWG NO. 1:1
FILE NAME: Side Tipper Interlink
SCALE: N.T.S. SHEET 1 OF 1

Roading Trailers