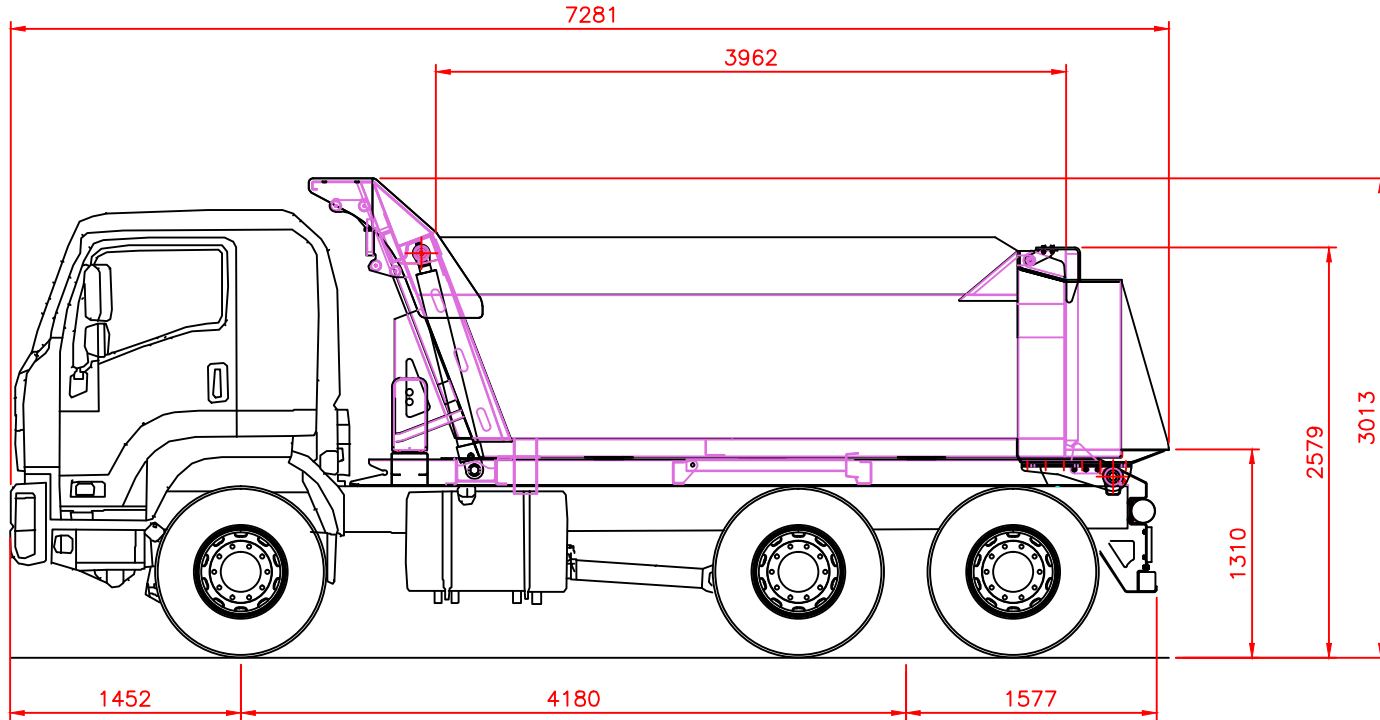


PAYLOAD = 13710  
 BODY + HYDRAULIC TARE MASS = 3000 (ESTIMATED)  
 GROSS BODY MASS = 16710



3340 = TRUCK TARE AT AXLES = 3950  
 6813 = GROSS MASS AT AXLES = 17187

PAYLOAD = 13710kg  
 GROSS VEHICLE MASS = 24000kg

\*NOTE WHEEL BASE

REVISION				<b>ROADHOG</b> TRAILERS (PTY) LTD design@roadhogtt.co.za	NAME	DATE	TITLE: END TIPPER 10 CUBE – HARDOX – ON ISUZU FVZ 1400 TIPPER
					DRAWN	L V V	
				CHECKED			
				SCALE: N.T.S.		ALL DIMENSIONS, MASSES AND PAYLOADS ARE ESTIMATES AND EXCLUDE OPTIONAL EXTRAS.	DRAWING No: 1SHT 1 OF TIZ-01-0001
REV	DATE	BY	REVISION DESCRIPTION	<small>COPYRIGHT THIS DRAWING IS CONFIDENTIAL AND THE PROPERTY OF ROADHOG TRAILERS AND MAY NOT BE COPIED, REPRODUCED OR PASSED ON TO ANY THIRD PARTY WITHOUT THEIR WRITTEN CONCENT.</small>			