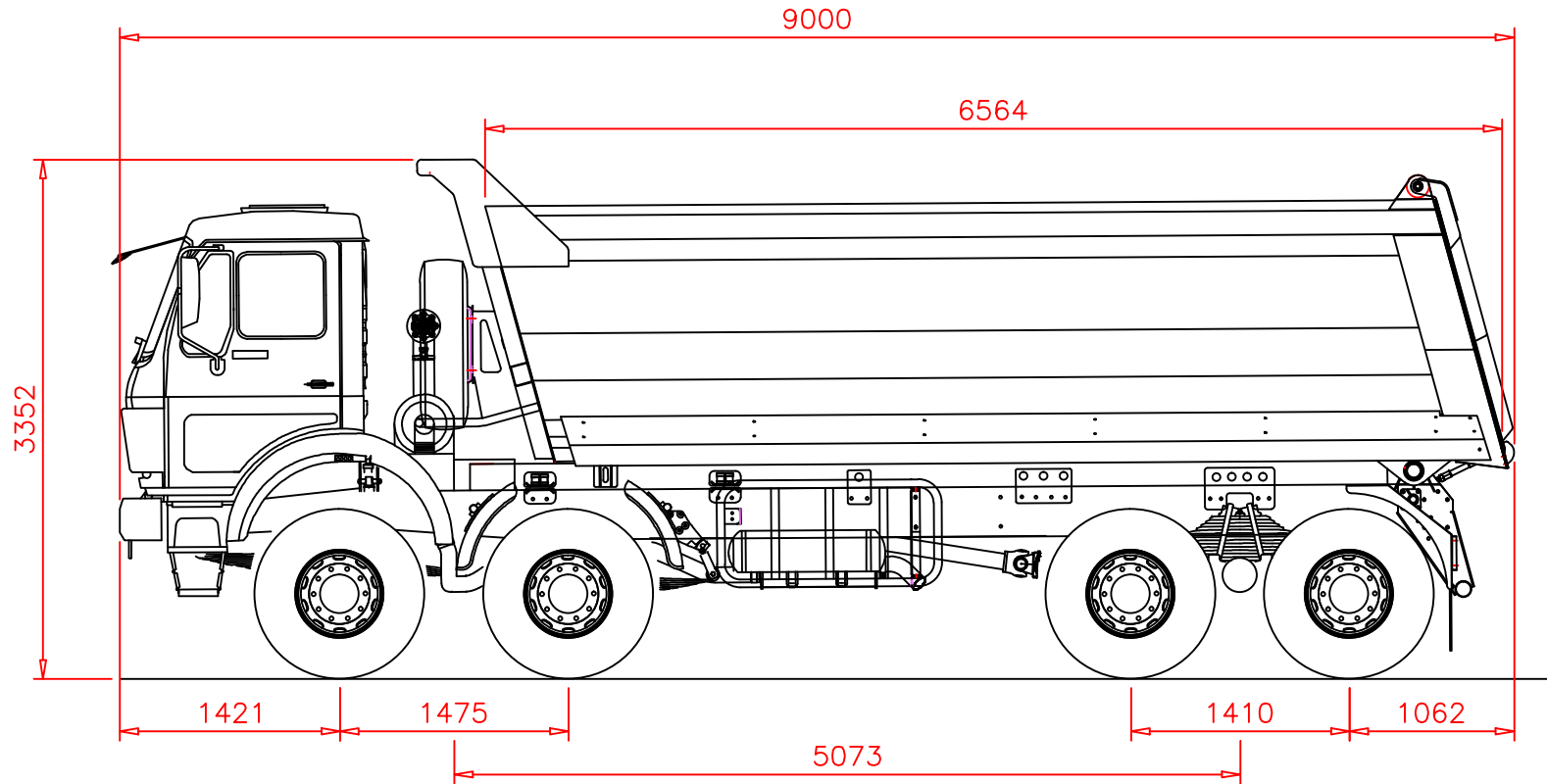


PAYLOAD = 16960
 BODY + HYDRAULIC TARE MASS = 3800 ESTIMATED
 GROSS BODY MASS = 20760



5880 = TRUCK TARE AT AXLES = 4260
 12400 = GROSS MASS AT AXLES = 18500

PAYLOAD = 16960kg
 GROSS VEHICLE MASS = 30900kg

REVISION				ROADHOG TRAILERS (PTY) LTD design@roadhogtt.co.za	NAME	DATE	TITLE:
					DRAWN	L V	26/03/2015
				CHECKED			
				SCALE: N.T.S.		ALL DIMENSIONS, MASSES AND PAYLOADS ARE ESTIMATES AND EXCLUDE OPTIONAL EXTRAS.	
REV	DATE	BY	REVISION DESCRIPTION	THIS DRAWING IS CONFIDENTIAL AND THE PROPERTY OF ROADHOG TRAILERS AND MAY NOT BE COPIED, REPRODUCED OR PASSED ON TO ANY THIRD PARTY WITHOUT THEIR WRITTEN CONSENT.			DRAWING No: ISHT 1 OF TPS20-01-00