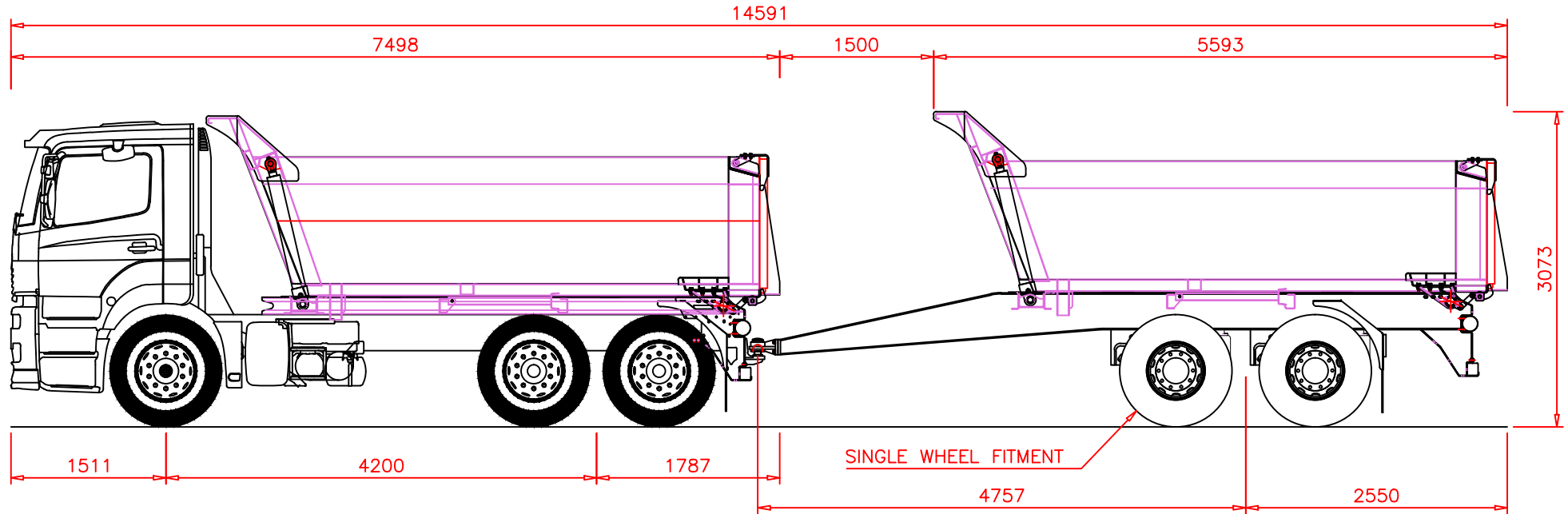


PAYLOAD = 6800
 BODY + HYDRAULIC TARE MASS = 2350 (ESTIMATED)
 GROSS BODY MASS = 9150

PAYLOAD = 5680
 BODY + HYDRAULIC TARE MASS = 5100 (ESTIMATED)
 GROSS BODY MASS = 10780



3570 = TRUCK TARE AT AXLES = 3500
 5160 = GROSS MASS AT AXLES = 11240

TARE AT AXLES = 5000
 GROSS MASS AT AXLES = 10600

PAYLOAD = 12480kg
 GROSS VEHICLE MASS = 27000kg

REVISION				ROADHOG TRAILERS (PTY) LTD design@roadhogtt.co.za	NAME	DATE	TITLE:
					DRAWN	DJO	11/4/16
				CHECKED			
				SCALE: N.T.S.		ALL DIMENSIONS, MASSES AND PAYLOADS ARE ESTIMATES AND EXCLUDE OPTIONAL EXTRAS.	
REV	DATE	BY	REVISION DESCRIPTION	COPYRIGHT THIS DRAWING IS CONFIDENTIAL AND THE PROPERTY OF ROADHOG TRAILERS AND MAY NOT BE COPIED, REPRODUCED OR PASSED ON TO ANY THIRD PARTY WITHOUT THEIR WRITTEN CONSENT.		DRAWING No: SHT 1 OF 2 RTT-01-0002	