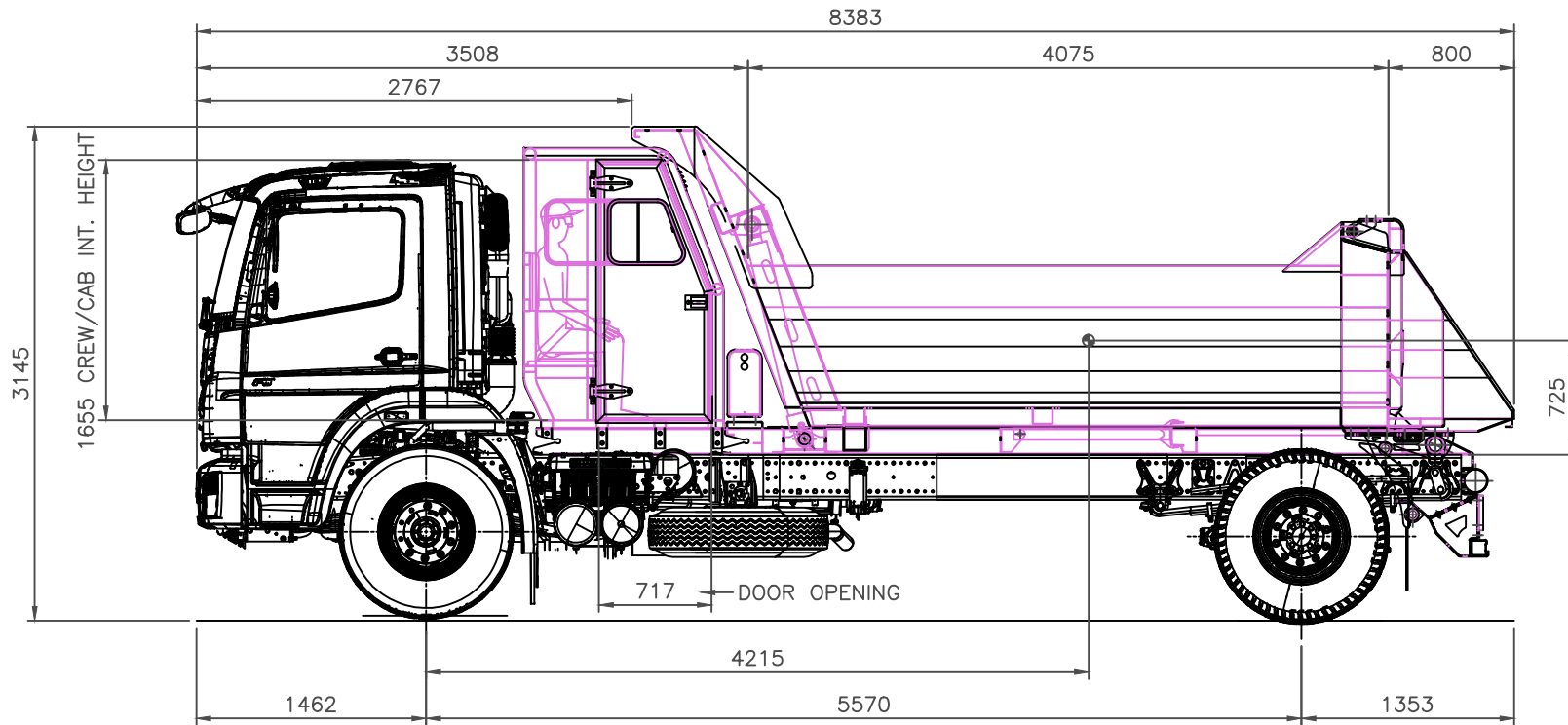


PAYLOAD = 6015
 BODY + HYDRAULIC TARE MASS = 2440 (ESTIMATED)
 CREW @ 4X85kg + CREW CAB = 900 (ESTIMATED)
 GROSS BODY MASS = 9355



3800 = TRUCK TARE AT AXLES = 2160
 85 = DRIVER
 200 = FUEL
 (+3.6%) 6840 = GROSS MASS AT AXLES = 8760
 6600 = PERMISSIBLE MASS AXLES = 9000

PAYLOAD = 6015kg
 GROSS VEHICLE MASS = 15600kg

REVISION				ROADHOG	NAME	DATE	TITLE:
					TRAILERS (PTY) LTD	L V	20/10/2016
				design@roadhogtt.co.za	CHECKED		
				<u>COPYRIGHT</u> THIS DRAWING IS CONFIDENTIAL AND THE PROPERTY OF ROADHOG TRAILERS AND MAY NOT BE COPIED, REPRODUCED OR PASSED ON TO ANY THIRD PARTY WITHOUT THEIR WRITTEN CONSENT.	SCALE:	ALL DIMENSIONS, MASSES AND PAYLOADS ARE ESTIMATES AND EXCLUDE OPTIONAL EXTRAS.	
REV	DATE	BY	REVISION DESCRIPTION		N.T.S.	DRAWING No: TFO6-01-0002	

DRAWING No: TFO6-01-0002
 1SHT 1 OF