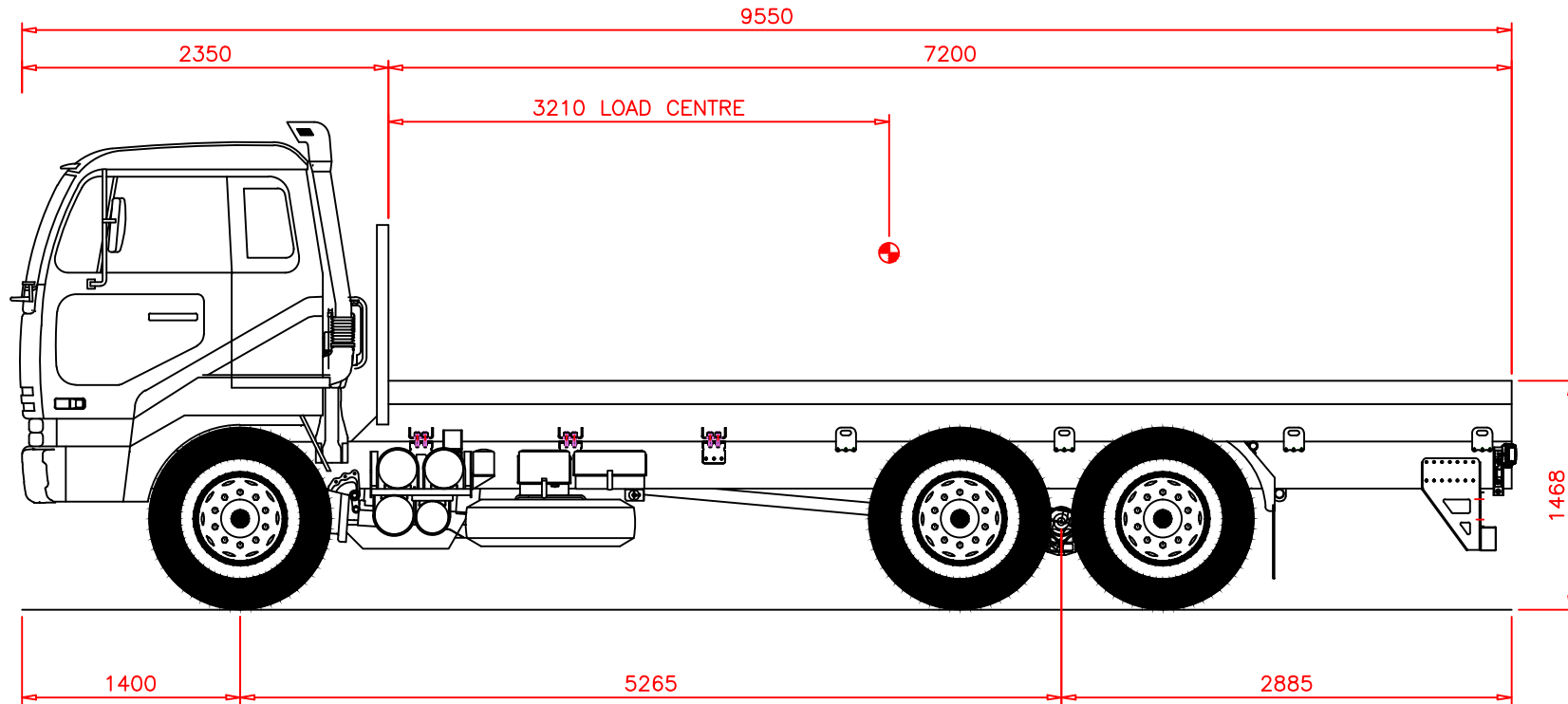


PAYLOAD = 16350
 BODY TARE MASS = 1250 (ESTIMATED)
 TRUCK TARE MASS = 7900
 G.V.M. = 25500



3800 = TRUCK TARE AT AXLES = 4100
 7500 = GROSS MASS AT AXLES = 18000

	<u>LEGAL</u>	<u>+2%</u>
PAYLOAD = 16350kg		16860kg
G.V.M. = 25500kg		26010kg

REVISION				<h1>ROADHOG</h1> TRAILERS (PTY) LTD design@roadhogtt.co.za COPYRIGHT THIS DRAWING IS CONFIDENTIAL AND THE PROPERTY OF ROADHOG TRAILERS AND MAY NOT BE COPIED, REPRODUCED OR PASSED ON TO ANY THIRD PARTY WITHOUT THEIR WRITTEN CONSENT.	NAME	DATE	TITLE:		
					DRAWN	DJO	13/3/2015	7,2m FLAT DECK BODY ON NISSAN UD RIGID	
					CHECKED				
REV	DATE	BY	REVISION DESCRIPTION		SCALE:	ALL DIMENSIONS, MASSES AND PAYLOADS ARE ESTIMATES AND EXCLUDE OPTIONAL EXTRAS.			DRAWING No:
				N.T.S.				RID-01-0002	