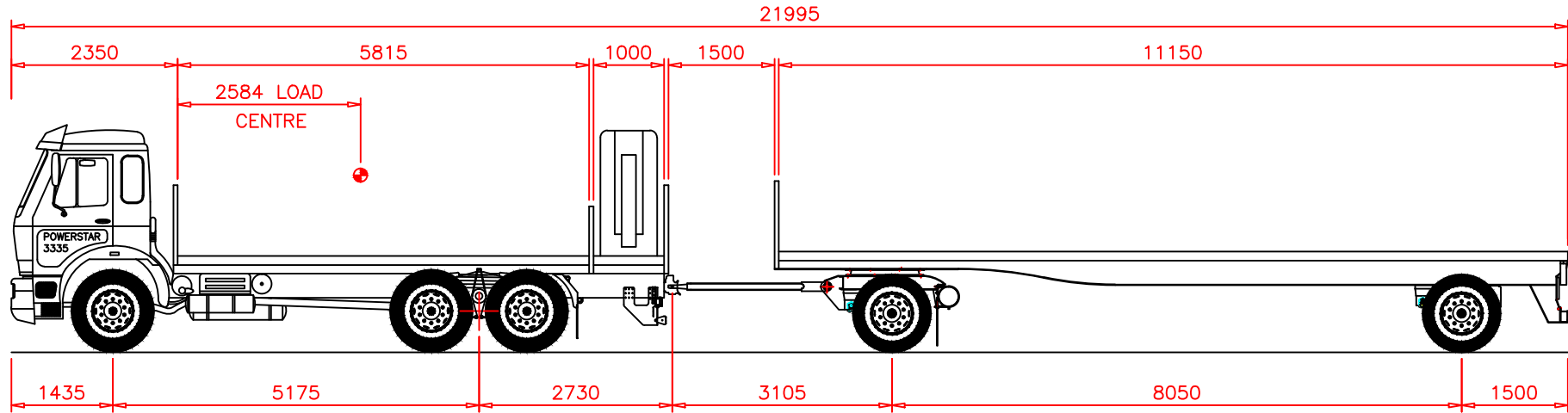


PAYLOAD = 12570
 TRUCK BODY MASS = 1250
 CRANE MASS = 2500
 GROSS MASS = 16320

PAYLOAD = 12500
 TRAILER TARE MASS = 5500
 TRAILER GROSS MASS = 18000




4140 = TRUCK TARE AT AXLES = 4540
 7420 = GROSS MASS AT AXLES = 17580

TARE MASS AT AXLES = 2750
 GROSS MASS AT AXLES = 9000

TARE MASS AT AXLES = 2750
 GROSS MASS AT AXLES = 9000

	LEGAL	+2%
PAYLOAD	= 25070kg	25930kg
GROSS COMBINATION MASS	= 43000kg	43860kg

REVISION				 TRAILERS (PTY) LTD design@roadhogtt.co.za	NAME	DATE	TITLE:
					DRAWN	DJO	25/03/15
				CHECKED			
				SCALE: 1:100			ALL DIMENSIONS, MASSES AND PAYLOADS ARE ESTIMATES AND EXCLUDE OPTIONAL EXTRAS.
REV	DATE	BY	REVISION DESCRIPTION	<small>COPYRIGHT THIS DRAWING IS CONFIDENTIAL AND THE PROPERTY OF ROADHOG TRAILERS AND MAY NOT BE COPIED, REPRODUCED OR PASSED ON TO ANY THIRD PARTY WITHOUT THEIR WRITTEN CONCENT.</small>			DRAWING No: SHT 1 OF 1 RDB-01-0001