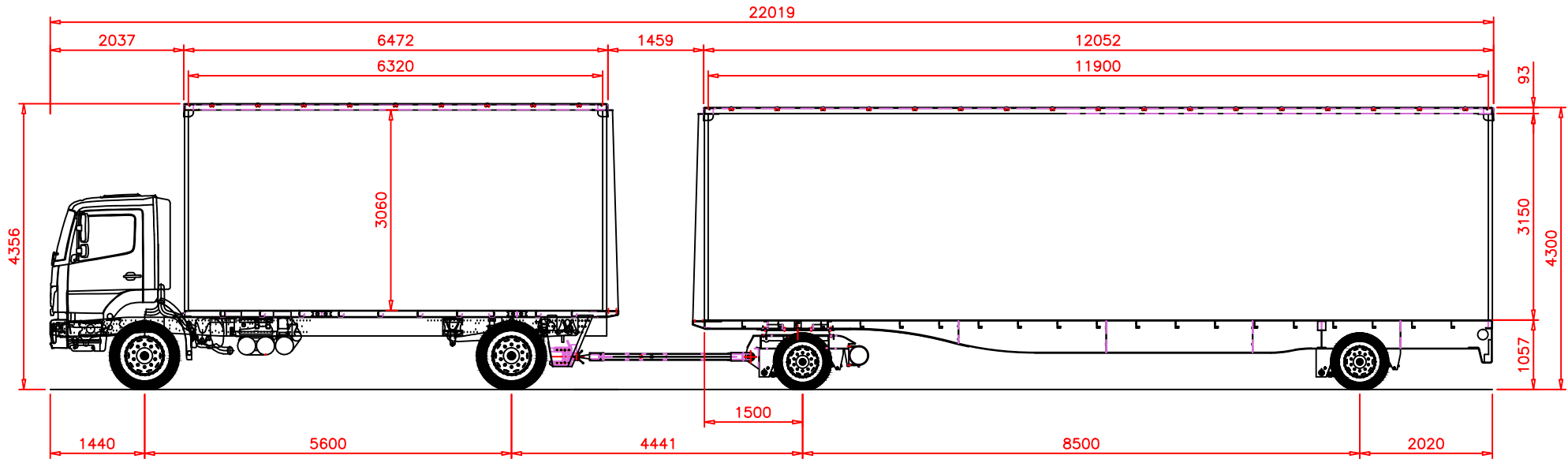


PAYLOAD = 7840  
 TRAILER TARE MASS = 2100 (ESTIMATED)  
 TRAILER GROSS MASS = 9940

PAYLOAD = 12400  
 TRAILER TARE MASS = 5600 (ESTIMATED)  
 TRAILER GROSS MASS = 18000



4480 = TRUCK TARE AT AXLES = 2280  
 7480 = GROSS MASS AT AXLES = 9220 (+2,4%)

TARE MASS AT AXLES = 2800  
 GROSS MASS AT AXLES = 9000

TARE MASS AT AXLES = 2800  
 GROSS MASS AT AXLES = 9000

PAYLOAD = 20240kg  
 GROSS COMBINATION MASS = 34700kg

| REVISION |         |     |                      | <b>ROADHOG</b><br>TRAILERS (PTY) LTD<br>design@roadhogtt.co.za  | NAME  | DATE | TITLE:  |  |
|----------|---------|-----|----------------------|---|-------|------|---------|--|
|          |         |     |                      |   | DRAWN | DJO  | 22/7/16 | RIGID DRAWBAR COMBINATION<br>MECH SUSP; DUAL TYRES; STEEL RIMS                 |
|          |         |     |                      | CHECKED   |       |      |         |  |
| A        | 17/2/17 | DJO | GA UPDATED           | <small>THIS DRAWING IS CONFIDENTIAL AND THE PROPERTY OF ROADHOG TRAILERS AND MAY NOT BE COPIED, REPRODUCED OR PASSED ON TO ANY THIRD PARTY WITHOUT THEIR WRITTEN CONSENT.</small> |       |      | SCALE:  | ALL DIMENSIONS, MASSES AND PAYLOADS ARE ESTIMATES AND EXCLUDE OPTIONAL EXTRAS. |
| REV      | DATE    | BY  | REVISION DESCRIPTION |   |       |      |         | DRAWING No: SHT 1 OF 1<br>RDC-01-0001  |